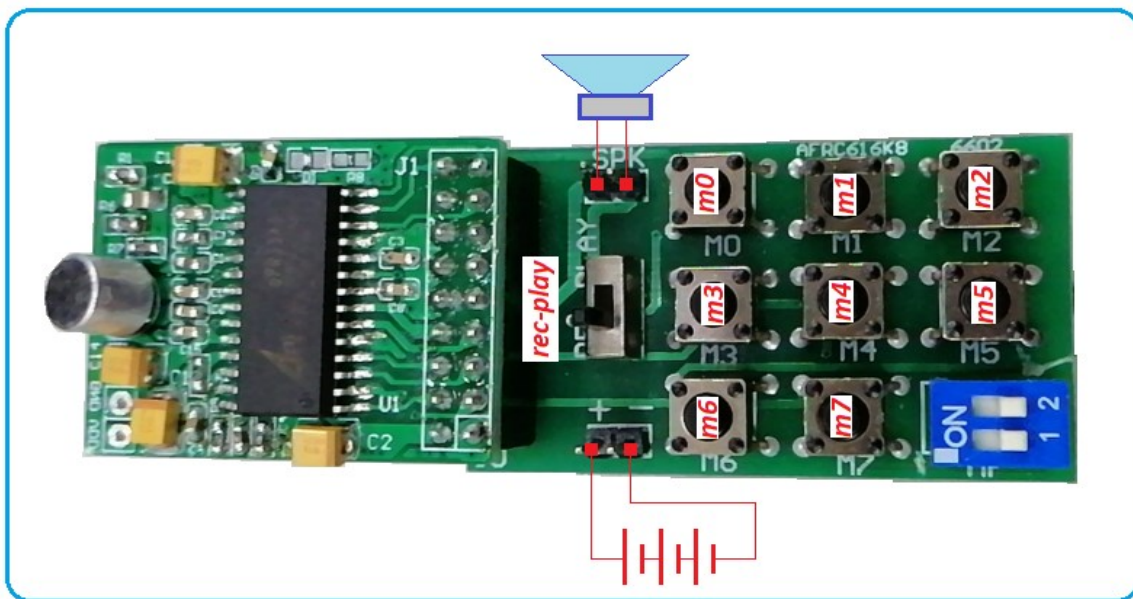


aPR33A3KDBF-C2.1

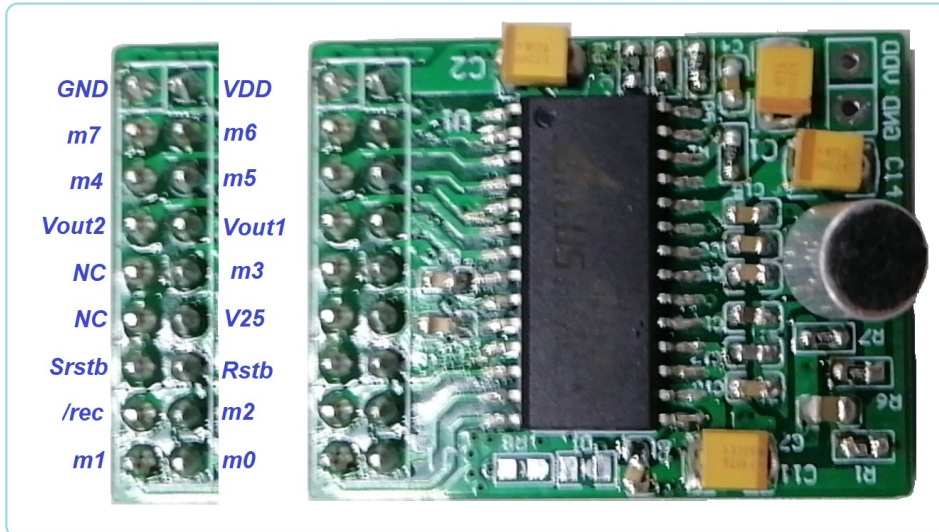
(Fixed 1/ 2/ 4/ 8 Message mode)

Demo Board User Guide

Part no.	aPR33A3KDBF-C2.1(680 sec)
Function	Averagely recording for 1,2,4,8 sections
Application	Support Mic & PWM Voice Output.



VCC : 3V – 6.5V



▪ **RECORDING VOICE MESSAGE :**

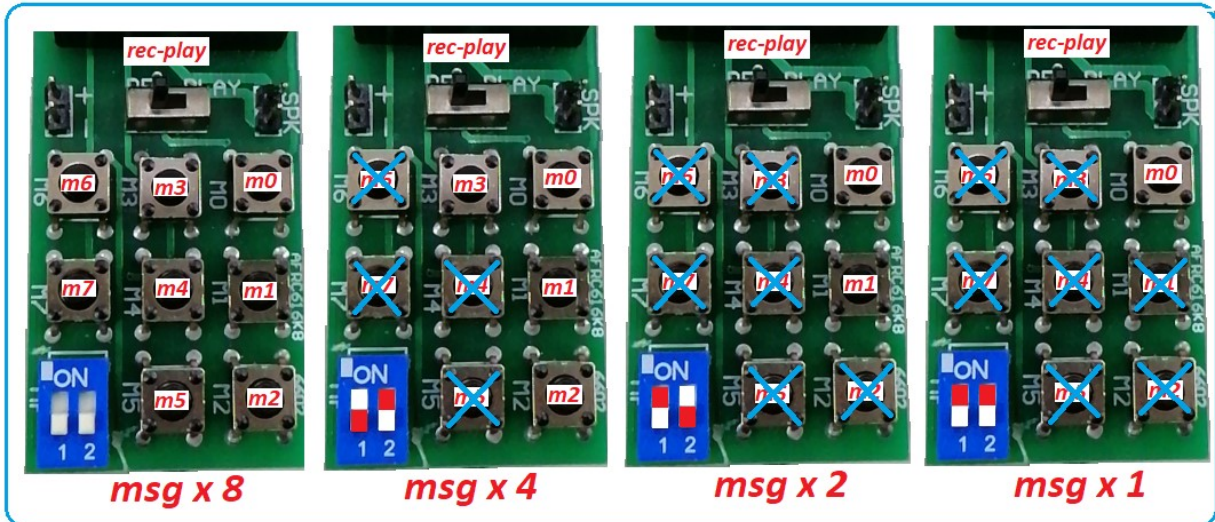
SLIDE SW to [REC] :

- **Start recording voice : Press and hold TACT SW(S1~S8), hear BEEP sound with LED on to start REC through Microphone**
- **ended recording voice : Release TACT SW,hear BEEP BEEP sound with LED off to complete REC.**

▪ **PLAY VOICE MESSAGE :**

SLIDE SW to [PLAY] :

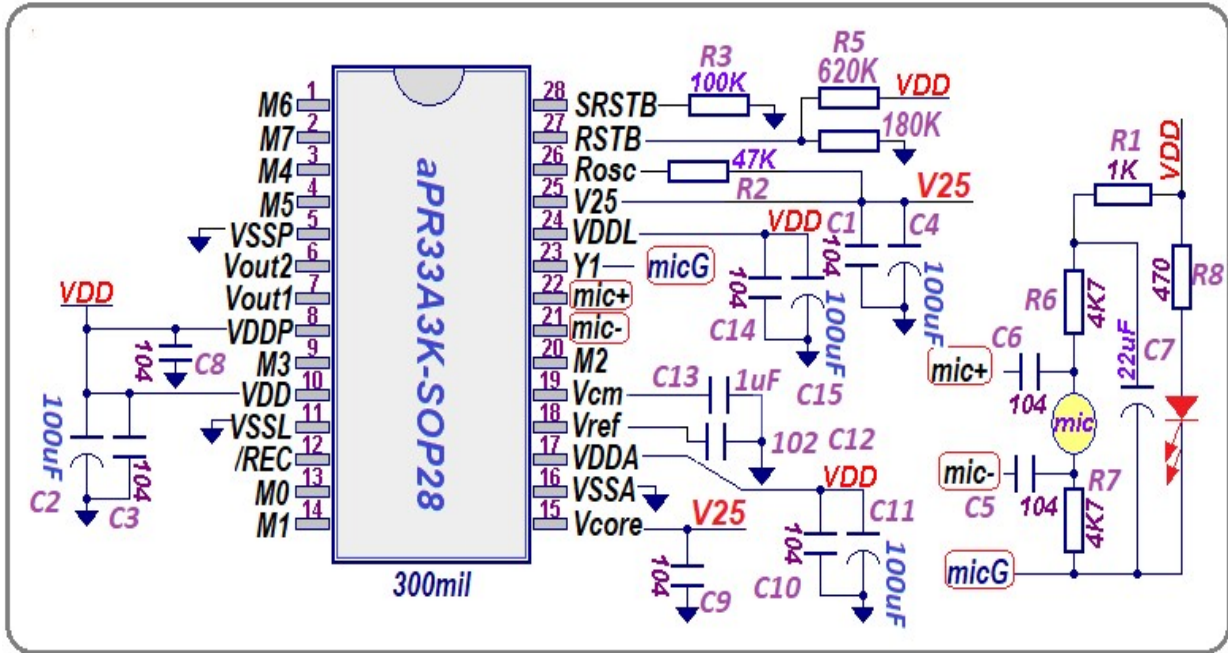
**Press and leave TACT SW(S1~S8) to play voice with LED on.
After play finished,LED will off.**



**** Every time re-power on to select 1/2/4/8 modes.**

8-Message mode : M6=M7=off=VCC	4-Message mode : M6 =GND & M7=VCC
M0~m7 : 85.2"/section	M0~m3 : 170.6:/section
2-Message mode : M6=VCC & M7=GND	1-Message mode : M6= M7=on=GND
M0~m1 : 341.2"/section	M0 : 682.6"/section

▪ **APPLICATION CIRCUIT :**



If need more details, please visit our website :

<http://www.aplusinc.com.tw> for its datasheet.